

chaeun

PACKAGE



Not No.1, The Only One

CONTENTS

4p

CU Q
series



8p

CU FD
series



10p

CU N
series



12p

CU H
series



14p

CU R
series



18p

CU CL
series



20p

CU CI
series



24p

CU PERFUME
series



30p

CU JAR
series



34p

ETC

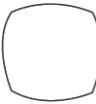







PRODUCT SERIES.
CU Q SERIES.

CU Q 001

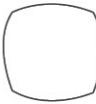





Shape.  Head Type.   

Capacity. 15ml
 Weight. 65g
 Nec. 18Ø
 Size. 32.7 x 63.2mm

CU Q 002

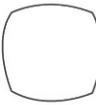





Shape.  Head Type.   

Capacity. 30ml
 Weight. 103g
 Nec. 18Ø
 Size. 39 x 73mm

CU Q 003







Shape.  Head Type.   

Capacity. 50ml
 Weight. 130g
 Nec. 20Ø
 Size. 44.5 x 78.8mm

CU Q 005







Shape.  Head Type.   

Capacity. 50ml
 Weight. 125g
 Nec. 18Ø
 Size. 39.8 x 87.5mm

CU Q 008







Shape.  Head Type.   

Capacity. 100ml
 Weight. 164g
 Nec. 20Ø
 Size. 44 x 112.2mm

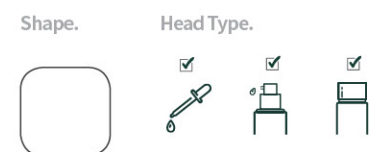
CU Q 010



Shape.  Head Type.   

Capacity. 30ml
 Weight. 77g
 Nec. 18Ø
 Size. 43 x 71.7mm

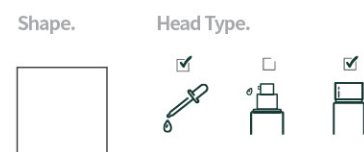
CU Q 015



Capacity. 30ml
Weight. 100g
Nec. 18Ø
Size. 35.9 x 80.6mm



CU Q 018



Capacity. 5ml
Weight. 14g
Nec. 13Ø
Size. 17.7 x 45.1mm



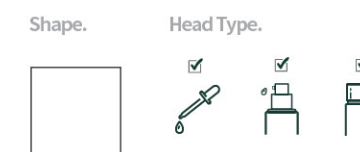
CU Q 032



Capacity. 100ml
Weight. 208g
Nec. 20Ø
Size. 49 x 135mm

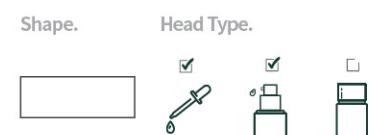


CU Q 033



Capacity. 30ml
Weight. 31g
Nec. 18Ø
Size. 29 x 96mm

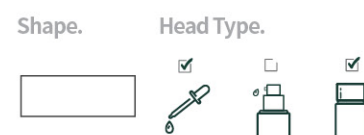
CU Q 020



Capacity. 50ml
Weight. 132g
Nec. 18Ø
Size. 52.5 x 81mm



CU Q 024



Capacity. 10ml
Weight. 35g
Nec. 13Ø
Size. 31.5 x 54.7mm



CU Q 034



Capacity. 30ml
Weight. 83g
Nec. 18Ø
Size. 40 x 81mm

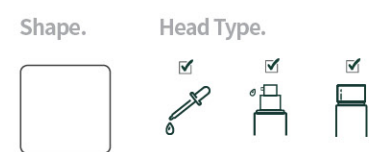


CU Q 035



Capacity. 50ml
Weight. 134g
Nec. 18Ø
Size. 47.7 x 110mm

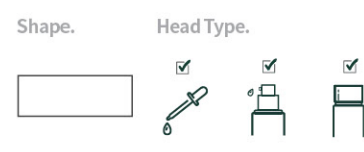
CU Q 028



Capacity. 35ml
Weight. 102g
Nec. 20Ø
Size. 40 x 70.36mm



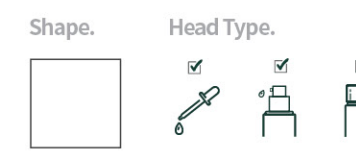
CU Q 030



Capacity. 50ml
Weight. 105g
Nec. 20Ø
Size. 62.5 x 55.4mm



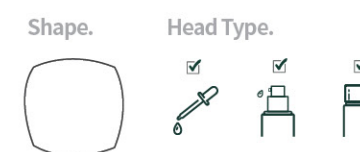
CU Q 037



Capacity. 30ml
Weight. 107g
Nec. 18Ø
Size. 37.6 x 66.2mm



CU Q 038



Capacity. 30ml
Weight. 100g
Nec. 18Ø
Size. 35.8 x 74.3mm

PRODUCT SERIES.

CU FD SERIES.



CU FD 001

Head Type.



Capacity. 15ml
Weight. 65g
Nec. 18Ø
Size. 34.8 x 48.6mm

CU FD 005

Head Type.



Capacity. 30ml
Weight. 85g
Nec. 18Ø
Size. 37.7 x 69.1mm



PRODUCT SERIES.
CU N SERIES.

CUN001



Head Type.



Capacity. 15ml
 Weight. 49g
 Nec. 18Ø
 Size. 31.5 x 65.9mm

CUN003



Head Type.



Capacity. 20ml
 Weight. 52g
 Nec. 18Ø
 Size. 33.5 x 68.9mm

CUN004



Head Type.



Capacity. 30ml
 Weight. 65g
 Nec. 18Ø
 Size. 35 x 81.3mm

CUN006



Head Type.



Capacity. 50ml
 Weight. 91g
 Nec. 18Ø
 Size. 40.5 x 90.2mm

CUN011



Head Type.



Capacity. 160ml
 Weight. 218g
 Nec. 24Ø
 Size. 59 x 119.5mm

CUN013



Head Type.



Capacity. 30ml
 Weight. 57g
 Nec. 18Ø
 Size. 35.1 x 81.3mm

CUN014



Head Type.



Capacity. 30ml
 Weight. 68g
 Nec. 18Ø
 Size. 42.7 x 65.2mm

CUN015



Head Type.



Capacity. 30ml
 Weight. 66g
 Nec. 18Ø
 Size. 38.6 x 72.2mm

PRODUCT SERIES.

CU H SERIES.



CUH005

Head Type.



Capacity. 50ml
Weight. 96g
Nec. 18Ø
Size. 38 x 98mm



CUH007

Head Type.



Capacity. 100ml
Weight. 134g
Nec. 18Ø
Size. 44 x 105.1mm



CUH009

Head Type.



Capacity. 30ml
Weight. 64g
Nec. 18Ø
Size. 38 x 68.4mm



CUH010

Head Type.



Capacity. 30ml
Weight. 81g
Nec. 20Ø
Size. 49.3 x 54.5mm



CUH012

Head Type.



Capacity. 50ml
Weight. 134g
Nec. 18Ø
Size. 48 x 71.7mm



CUH014

Head Type.



Capacity. 30ml
Weight. 100g
Nec. 18Ø
Size. 43 x 65mm



CUH015

Head Type.



Capacity. 30ml
Weight. 68g
Nec. 18Ø
Size. 43 x 56mm

PRODUCT SERIES.
CU R SERIES.



CUR 001

Head Type.



Capacity. 30ml
 Weight. 70g
 Nec. 20Ø
 Size. 35 x 79mm



CUR 002

Head Type.



Capacity. 50ml
 Weight. 92g
 Nec. 20Ø
 Size. 40 x 89mm



CUR 003

Head Type.



Capacity. 80ml
 Weight. 135g
 Nec. 20Ø
 Size. 45 x 103mm



CUR 004

Head Type.



Capacity. 100ml
 Weight. 157g
 Nec. 20Ø
 Size. 44.7 x 123.9mm



CUR 006

Head Type.



Capacity. 140ml
 Weight. 205g
 Nec. 20Ø
 Size. 48 x 147.5mm



CUR 007

Head Type.



Capacity. 150ml
 Weight. 185g
 Nec. 20Ø
 Size. 48 x 147.5mm



CUR 008

Head Type.



Capacity. 30ml
 Weight. 91g
 Nec. 18Ø
 Size. 36.5 x 88mm



CUR 009

Head Type.



Capacity. 50ml
 Weight. 91g
 Nec. 20Ø
 Size. 42 x 81.7mm



CUR 013

Head Type.



Capacity. 100ml
Weight. 115g
Nec. 20Ø
Size. 49 x 109mm



CUR 016

Head Type.



Capacity. 30ml
Weight. 71g
Nec. 18Ø
Size. 38.4 x 69.1mm



CUR 018

Head Type.



Capacity. 30ml
Weight. 110g
Nec. 20Ø
Size. 51.5 x 73.5mm



CUR 019

Head Type.



Capacity. 120ml
Weight. 183g
Nec. 20Ø
Size. 46 x 139mm



CUR 027

Head Type.



Capacity. 100ml
Weight. 97g
Nec. 20Ø
Size. 48.3 x 110.3mm



CUR 029

Head Type.



Capacity. 50ml
Weight. 129g
Nec. 20Ø
Size. 48 x 84mm



CUR 030

Head Type.



Capacity. 15ml
Weight. 52g
Nec. 18Ø
Size. 31.4 x 64.1mm



CUR 031

Head Type.



Capacity. 30ml
Weight. 80g
Nec. 18Ø
Size. 36.9 x 76.3mm



CUR 021

Head Type.



Capacity. 50ml
Weight. 128g
Nec. 18Ø
Size. 40.2 x 104mm



CUR 023

Head Type.



Capacity. 30ml
Weight. 100g
Nec. 18Ø
Size. 36.7 x 85mm



CUR 024

Head Type.



Capacity. 20ml
Weight. 62g
Nec. 15Ø
Size. 35 x 66mm



CUR 025

Head Type.



Capacity. 200ml
Weight. 172g
Nec. 24Ø
Size. 57 x 133.9mm



CUR 034

Head Type.



Capacity. 50ml
Weight. 120g
Nec. 18Ø
Size. 50.1 x 70mm

PRODUCT SERIES.
CU CL SERIES.



CU CL 001

Head Type.



Capacity. 30ml
 Weight. 67g
 Nec. 20Ø
 Size. 30.6 x 95.2mm



CU CL 003

Head Type.



Capacity. 50ml
 Weight. 130g
 Nec. 18Ø
 Size. 40 x 103mm



CU CL 011

Head Type.



Capacity. 30ml
 Weight. 88g
 Nec. 18Ø
 Size. 36 x 83mm



CU CL 012

Head Type.



Capacity. 30ml
 Weight. 91g
 Nec. 18Ø
 Size. 33 x 97mm



CU CL 014

Head Type.



Capacity. 50ml
 Weight. 129g
 Nec. 20Ø
 Size. 39.2 x 106.6mm



CU CL 015

Head Type.



Capacity. 20ml
 Weight. 61g
 Nec. 18Ø
 Size. 30 x 80mm

PRODUCT SERIES.

CU CI SERIES.



CU CI 012

Head Type.



Capacity. 30ml
Weight. 77g
Nec. 20Ø
Size. 36.0 x 79.5mm



CU CI 014

Head Type.



Capacity. 30ml
Weight. 88g
Nec. 18Ø
Size. 39.8 x 72.8mm



CU CI 016

Head Type.



Capacity. 50ml
Weight. 122g
Nec. 20Ø
Size. 44.8 x 86.3mm



CU CI 018

Head Type.



Capacity. 100ml
Weight. 151g
Nec. 24Ø
Size. 53.0 x 90.8mm



CU CI 021

Head Type.



Capacity. 120ml
Weight. 170g
Nec. 24Ø
Size. 45.2 x 139.0mm



CU CI 022

Head Type.



Capacity. 150ml
Weight. 190g
Nec. 24Ø
Size. 44.8 x 166.0mm



CU CI 025

Head Type.



Capacity. 100ml
Weight. 154g
Nec. 20Ø
Size. 39.0 x 119.0mm



CU CI 026

Head Type.



Capacity. 30ml
Weight. 71g
Nec. 18Ø
Size. 36 x 80mm



CU CI 001

Head Type.



Capacity. 5ml
Weight. 21g
Nec. 13Ø
Size. 23.5 x 46.5mm



CU CI 003

Head Type.



Capacity. 8ml
Weight. 28g
Nec. 13Ø
Size. 28 x 46.2mm



CU CI 007

Head Type.



Capacity. 15ml
Weight. 52g
Nec. 18Ø
Size. 32.9 x 63.3mm



CU CI 011

Head Type.



Capacity. 100ml
Weight. 125g
Nec. 20Ø
Size. 47.5 x 104.2mm



CU CI 030

Head Type.



Capacity. 50ml
Weight. 107g
Nec. 18Ø
Size. 38.8 x 99.8mm



CU CI 033

Head Type.



Capacity. 150ml
Weight. 170g
Nec. 24Ø
Size. 49.85 x 136.5mm



CU CI 036

Head Type.



Capacity. 100ml
Weight. 159g
Nec. 24Ø
Size. 41.0 x 145.0mm



CU CI 038

Head Type.



Capacity. 50ml
Weight. 99g
Nec. 18Ø
Size. 52.5 x 56.3mm



CU CI 044

Head Type.



Capacity. 30ml
Weight. 91g
Nec. 18Ø
Size. 45.6 x 56mm



CU CI 045

Head Type.



Capacity. 50ml
Weight. 128g
Nec. 18Ø
Size. 47.9 x 72.7mm



CU CI 047

Head Type.



Capacity. 140ml
Weight. 171g
Nec. 18Ø
Size. 43 x 158mm



CU CI 048

Head Type.



Capacity. 30ml
Weight. 77g
Nec. 18Ø
Size. 36.8 x 74mm



CU CI 039

Head Type.



Capacity. 10ml
Weight. 24g
Nec. 13Ø
Size. 27.9 x 45.8mm



CU CI 041

Head Type.



Capacity. 10ml
Weight. 31g
Nec. 18Ø
Size. 25.8 x 59.3mm



CU CI 042

Head Type.



Capacity. 50ml
Weight. 122g
Nec. 22Ø
Size. 44 x 78mm



CU CI 043

Head Type.



Capacity. 30ml
Weight. 97g
Nec. 18Ø
Size. 47.9 x 56mm



CU CI 050

Head Type.



Capacity. 120ml
Weight. 166g
Nec. 24Ø
Size. 50.3 x 114mm



CU CI 051

Head Type.



Capacity. 100ml
Weight. 177g
Nec. 20Ø
Size. 48 x 114mm



CU CI 052

Head Type.



Capacity. 50ml
Weight. 83g
Nec. 18Ø
Size. 40 x 85mm



CU CI 054

Head Type.



Capacity. 15ml
Weight. 62g
Nec. 18Ø
Size. 39.5 x 49.4mm



CU CI 055

Head Type.



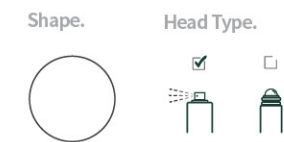
Capacity. 50ml
Weight. 121g
Nec. 18Ø
Size. 52.89 x 62.1mm

PRODUCT SERIES.

CU PERFUME SERIES.



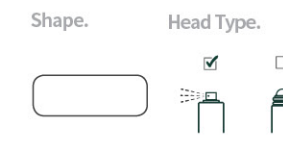
CUPF 001



Capacity. 30ml
Weight. 62g
Nec. 15Ø
Size. 37.7 x 64.5mm



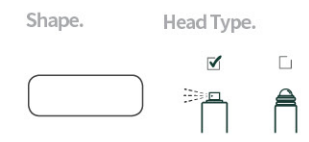
CUPF 002



Capacity. 30ml
Weight. 83g
Nec. 15Ø
Size. 41 x 77.5mm



CUPF 003



Capacity. 50ml
Weight. 134g
Nec. 15Ø
Size. 46.5 x 105.5mm



CUPF 004



Capacity. 30ml
Weight. 77g
Nec. 15Ø
Size. 43 x 68.4mm



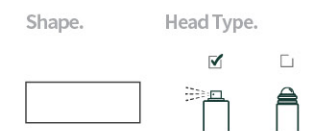
CUPF 005



Capacity. 50ml
Weight. 132g
Nec. 15Ø
Size. 52.6 x 77.8mm



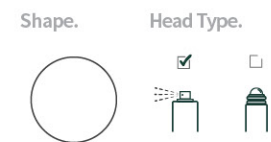
CUPF 011



Capacity. 30ml
Weight. 77g
Nec. 15Ø
Size. 60.3 x 66.9mm



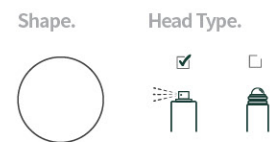
CU PF 015



Capacity. 100ml
Weight. 158g
Nec. 15Ø
Size. 40.1 x 146.5mm



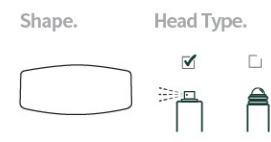
CU PF 016



Capacity. 50ml
Weight. 121g
Nec. 15Ø
Size. 48 x 68.2mm



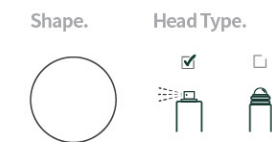
CU PF 020



Capacity. 50ml
Weight. 120g
Nec. 15Ø
Size. 46.1 x 78mm



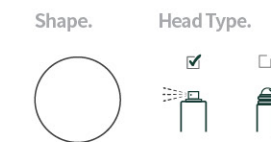
CU PF 034



Capacity. 50ml
Weight. 99g
Nec. 15Ø
Size. 52.5 x 56.3mm



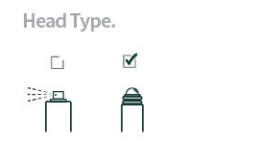
CU PF 035



Capacity. 10ml
Weight. 36g
Nec. 13Ø
Size. 18.3 x 104mm



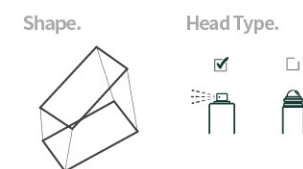
CU PF 036



Capacity. 10ml
Weight. 42g
Nec. 13Ø
Size. 80.3 x 37.6mm



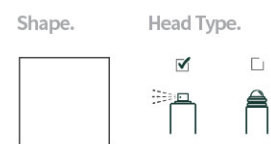
CU PF 024



Capacity. 30ml
Weight. 98g
Nec. 15Ø
Size. 49.8 x 71.9mm



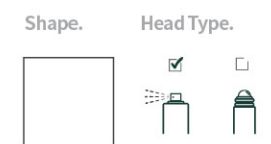
CU PF 026



Capacity. 30ml
Weight. 76g
Nec. 15Ø
Size. 36.8 x 86.2mm



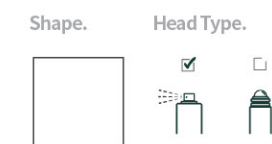
CU PF 031



Capacity. 50ml
Weight. 104g
Nec. 15Ø
Size. 33.3 x 107.1mm



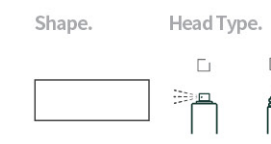
CU PF 040



Capacity. 15ml
Weight. 44g
Nec. 13Ø
Size. 21 x 93mm



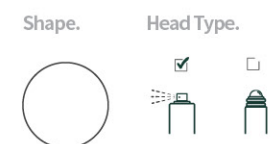
CU PF 041



Capacity. 5ml
Weight. 26g
Nec. 9Ø
Size. 46 x 27mm



CU PF 045



Capacity. 30ml
Weight. 100g
Nec. 15Ø
Size. 43 x 65mm



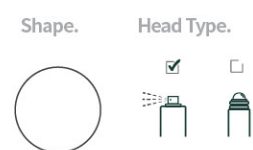
CU PF 046



Capacity. 50ml
Weight. 135g
Nec. 15Ø
Size. 43 x 65mm



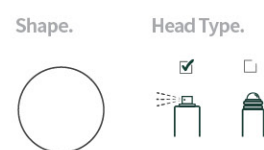
CU PF 047



Capacity. 30ml
Weight. 89g
Nec. 15Ø
Size. 45 x 56mm



CU PF 054



Capacity. 50ml
Weight. 131g
Nec. 15Ø
Size. 46.5 x 75.2mm



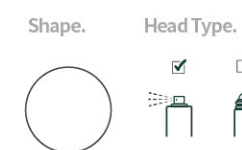
CUPF 061



Capacity. 50ml
Weight. 140g
Nec. 15Ø
Size. 75 x 65mm



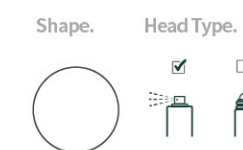
CUPF 063



Capacity. 50ml
Weight. 129g
Nec. 15Ø
Size. 41 x 86mm



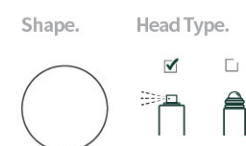
CUPF 064



Capacity. 100ml
Weight. 181g
Nec. 15Ø
Size. 55 x 88mm



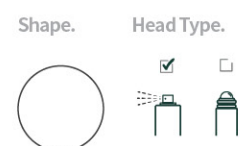
CUPF 057



Capacity. 100ml
Weight. 191g
Nec. 15Ø
Size. 52 x 101mm



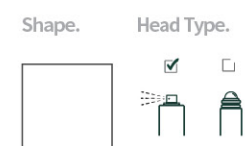
CUPF 058



Capacity. 100ml
Weight. 179g
Nec. 15Ø
Size. 55 x 88mm



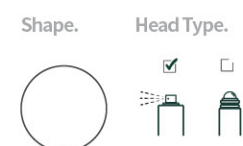
CUPF 059



Capacity. 10ml
Weight. 38g
Nec. 13Ø
Size. 16.7 x 99mm



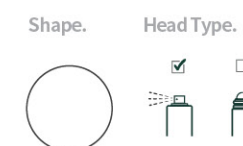
CUPF 060



Capacity. 3ml
Weight. 8g
Nec. 15Ø
Size. 12 x 64mm



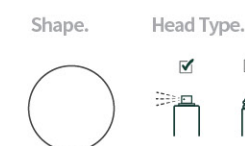
CUPF 065



Capacity. 50ml
Weight. 135g
Nec. 15Ø
Size. 45.7 x 85.7mm



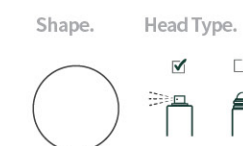
CUPF 066



Capacity. 100ml
Weight. 286g
Nec. 15Ø
Size. 55 x 120mm



CUPF 067



Capacity. 40ml
Weight. 113g
Nec. 15Ø
Size. 48 x 65mm

PRODUCT SERIES.
CU JAR SERIES.



CU JAR 004

Shape.



Capacity. 15ml
 Weight. 64g
 Size. 46 x 33mm



CU JAR 006

Shape.



Capacity. 50ml
 Weight. 126g
 Size. 59.8 x 44mm



CU JAR 007

Shape.



Capacity. 100ml
 Weight. 140g
 Size. 60 x 62.8mm



CU JAR 009

Shape.



Capacity. 80ml
 Weight. 119g
 Size. 60.1 x 51mm



CU JAR 013

Shape.



Capacity. 50ml
 Weight. 98g
 Size. 56.5 x 44mm



CU JAR 015

Shape.



Capacity. 50ml
 Weight. 119g
 Size. 64.5 x 41.2mm



CU JAR 018

Shape.



Capacity. 50ml
 Weight. 115g
 Size. 56.2 x 40.3mm



CU JAR 021

Shape.



Capacity. 50ml
 Weight. 208g
 Size. 57.3 x 53.5mm



CU JAR 025

Shape.



Capacity. 50ml
Weight. 99g
Size. 60 x 45.7mm



CU JAR 027

Shape.



Capacity. 50ml
Weight. 131g
Size. 44.1 x 60mm



CU JAR 029

Shape.



Capacity. 50ml
Weight. 115g
Size. 58 x 46.4mm



CU JAR 030

Shape.



Capacity. 25ml
Weight. 93g
Size. 56 x 32mm



CU JAR 038

Shape.



Capacity. 50ml
Weight. 162g
Size. 55 x 60mm



CU JAR 039

Shape.



Capacity. 75ml
Weight. 169g
Size. 74.8 x 47mm



CU JAR 040

Shape.



Capacity. 50ml
Weight. 123g
Size. 44 x 80mm



CU JAR 031

Shape.



Capacity. 50ml
Weight. 104g
Size. 56.7 x 45.6mm



CU JAR 032

Shape.



Capacity. 75ml
Weight. 121g
Size. 56.8 x 57.6mm



CU JAR 033

Shape.



Capacity. 50ml
Weight. 115g
Size. 52 x 40mm



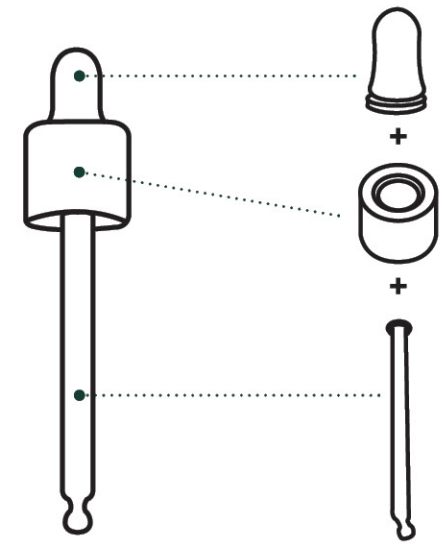
CU JAR 037

Shape.

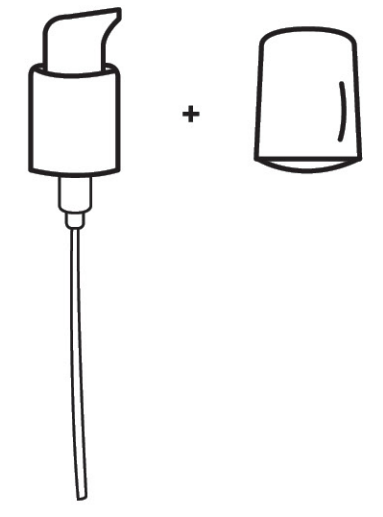


Capacity. 30ml
Weight. 33g
Size. 56.5 x 35.6mm

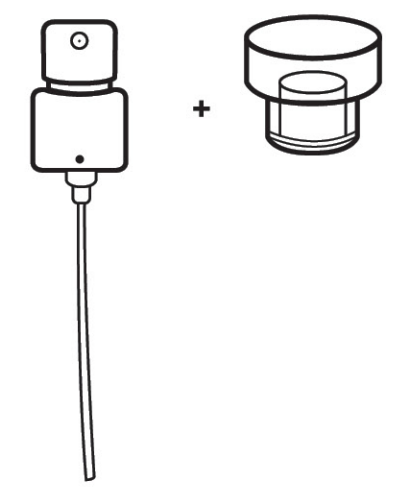
✓  ETC SERIES.
Dropper.



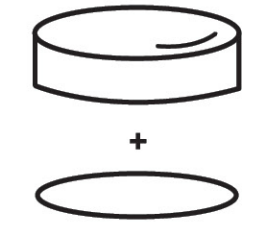
✓  ETC SERIES.
Pump.



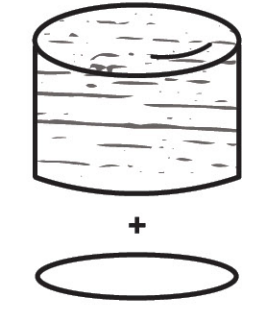
✓  ETC SERIES.
Perfume Spray.



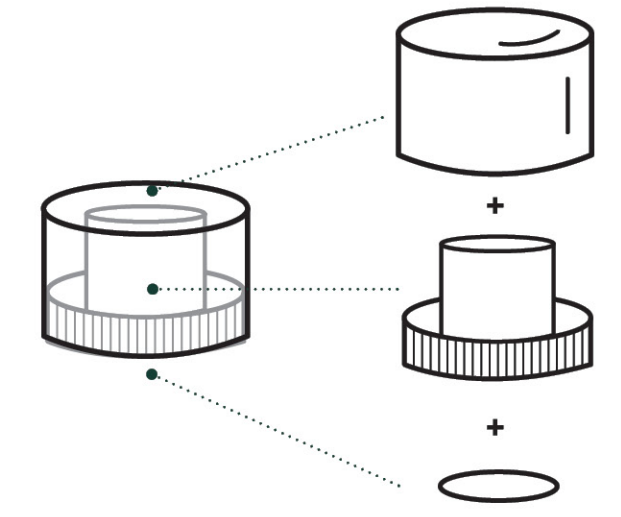
✓  ETC SERIES.
Cap.



✓  ETC SERIES.
Wood Cap.



✓  ETC SERIES.
Toner Cap.



chaeun
PACKAGE



www.chaeun.co.kr



[@chaeunpackaging](https://www.instagram.com/chaeunpackaging)



sales@chaeun.co.kr | rayhong@chaeun.co.kr